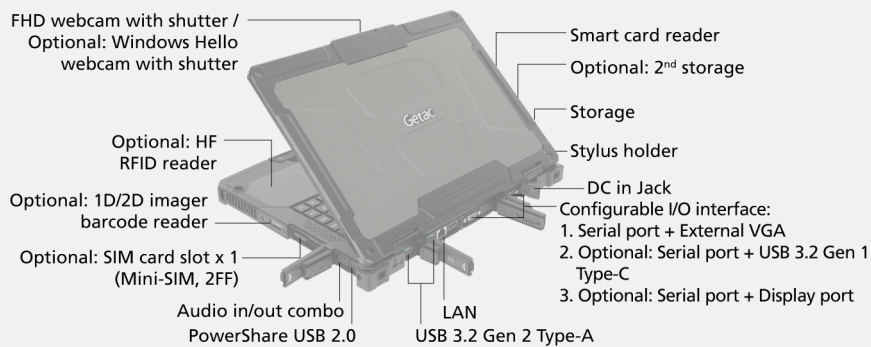




B360 FULLY RUGGED NOTEBOOK

- MIL-STD 810H, 6ft operating drop rating, IP66 certified, and optional salt fog resistant
- 10th Generation Intel® Core™ Processor
- 13.3" FHD LumiBond® 2.0 display with Getac sunlight readable technology (1,400 nits) and capacitive touchscreen
- Enhanced enterprise security with optional dual user replaceable storage, Windows Hello face-authentication camera, integrated 1D/2D imager barcode reader and multi-factor authentication options
- LifeSupport™ battery swappable technology



B360 FULLY RUGGED NOTEBOOK

SPECIFICATIONS

Operating System	Windows 10 Pro
Mobile Computing Platform	Intel® Core™ i5-10210U Processor 1.6GHz Max. 4.2GHz with Intel® Turbo Boost Technology - 6MB Intel® Smart Cache Platform options: Intel® Core™ i5-10310U vPro™ Processor 1.7GHz Max. 4.4GHz with Intel® Turbo Boost Technology - 6MB Intel® Smart Cache Intel® Core™ i7-10510U Processor 1.8GHz Max. 4.9GHz with Intel® Turbo Boost Technology - 8MB Intel® Smart Cache Intel® Core™ i7-10610U vPro™ Processor 1.8GHz Max. 4.9GHz with Intel® Turbo Boost Technology - 8MB Intel® Smart Cache Intel® Core™ i7-10710U Processor 1.1GHz Max. 4.7GHz with Intel® Turbo Boost Technology 12MB Intel® Smart Cache
VGA Controller	Intel® UHD Graphics
Display	13.3" IPS TFT LCD FHD (1920 x 1080) Protection film 1,400 nits LumiBond® display with Getac sunlightreadable technology Capacitive multi-touch screen
Storage & Memory	8GB DDR4 Optional: 16GB / 32GB / 64GB DDR4 256GB PCIe NVMe SSD Optional: 512GB / 1TB PCIe NVMe SSD Optional 2 nd storage †: 256GB / 512GB / 1TB SATA SSD
Keyboard	LED backlit membrane keyboard Optional: LED backlit rubber keyboard
Pointing Device	Touchscreen - Capacitive multi-touch screen Touchpad - Glide touchpad with multi-touch

B360 FULLY RUGGED NOTEBOOK

Expansion Slots	Smart card reader x 1 Optional: 1D / 2D imager barcode reader
I/O Interface	FHD webcam x 1 Audio in/out combo x 1 DC in Jack x 1 PowerShare USB 2.0 x 1 USB 3.2 Gen 2 Type-A x 2 LAN (RJ45) x 1 HDMI x 1 Docking connector x 1 Optional: SIM card slot x 1 (Mini-SIM, 2FF) Optional: Windows Hello face-authentication camera (front-facing) x 1 Optional: RF antenna pass-through for GPS, WWAN and WLAN Configurable I/O options ⁱⁱ : Serial port (9-pin; D-sub) x 1 + External VGA (15-pin; D-sub) x 1, or Serial port (9-pin; D-sub) x 1 + USB 3.2 Gen 2 Type-C x 1, or Serial port (9-pin; D-sub) x 1 + Display port x 1
Communication Interface	10 / 100 / 1000 base-T Ethernet Intel® Wi-Fi 6 AX200, 802.11ax Bluetooth (v5.2) ⁱⁱⁱ Optional: Dedicated GPS ^{iv} Optional: 4G LTE mobile broadband with integrated GPS ^{iv,v}
Pre-installed software	Getac Utility Getac Geolocation Getac Barcode Manager ^{ix} Optional: Absolute Persistence®
Security Features	TPM 2.0 Kensington lock Optional: HF RFID reader ^{vi} Smart card reader
Power	AC adapter (90W, 100-240VAC, 50/60Hz) Li-ion battery (11.1V, typical 2100mAh; min. 2040mAh) x 2 LifeSupport™ battery swappable technology
Dimension (W x D x H) & Weigh	342 x 281 x 34.9 mm (13.46" x 11.06" x 1.37") 2.32kg (5.11lbs) ^{vii}

B360 FULLY RUGGED NOTEBOOK

Rugged Feature

MIL-STD-810H certified
IP66 certified
MIL-STD-461G certified ^{viii}
Vibration & 6ft (1.8m) drop resistant
e-Mark certified for vehicle usage
Optional: ANSI/UL 121201, CSA C22.2 NO. 213 (Class I, Division 2, Groups A, B, C, D)
Optional: Salt fog certified

Environmental Specification

Temperature ^{ix}:
- Operating: -29°C to 63°C / -20°F to 145°F
- Storage: -51°C to 71°C / -60°F to 160°F
Humidity:
- 95% RH, non-condensing

Accessories

Battery (11.1V, typical 2100mAh; min. 2040mAh)
AC adapter (90W, 100-240VAC)
Capacitive stylus with tether

Optional:

Backpack
Battery (11.1V, typical 2100mAh; min. 2040mAh)
Multi-Bay charger (Dual-Bay)
Multi-Bay charger (Eight-Bay)
AC adapter (90W, 100-240VAC)
Office dock AC adapter (120W, 100-240VAC)
MIL-STD-461 certified AC adapter (90W, 115-230VAC)
DC-DC vehicle adapter (120W, 11-32VDC)
Capacitive stylus with tether
Protection film
Vehicle cradle
Vehicle dock
Office dock
Spare SSD kit
100W Type-C adapter

Bumper-to-Bumper warranty

Accidents can take your equipment out of service when you least expect it, especially in a rugged environment, which can cause costly equipment downtime. That is why Getac has introduced accidental damage as standard under our Bumper-to-Bumper warranty, to help minimize your enterprise IT costs. Bumper-to-Bumper is your hassle-free guarantee. That means you can depend on us to have your unit back in service within days.

Standard

3 years Bumper-to-Bumper

- I. Second storage is optional and will be fitted with a removable cover when not chosen at point of purchase.
- II. External VGA, USB 3.2 Gen 1 Type-C port and Display port are mutually exclusive.
- III. Bluetooth performance and connectable distance may be subject to interference with the environments and performance

B360 FULLY RUGGED NOTEBOOK

on client devices, users may be able to reduce effects of interference by minimizing the number of active Bluetooth wireless devices that is operating in the area.

- IV. Dedicated GPS is mutually exclusive with 4G LTE mobile broadband.
- V. Units with 4G LTE option comes with an embedded SIM card slot.
- VI. HF(13.56MHz) combo HF RFID/NFC reader (iClass, HID Prox , ISO 15693, 14443 A/B, Mifare, and FeliCa™ compliant).
- VII. Weight and dimensions vary from configurations and optional accessories.
- VIII. MIL-STD-461G 90W AC adapter sold separately.
- IX. Tested by an independent third-party test lab following MIL-STD-810H.
- X. Available when barcode reader option is selected.

Information provided herewith is for reference only, available specification shall be subjected to quotation by request.

	Vehicle Dock	Office Dock
Serial Port	2	2
External VGA	1	1
Microphone	1	1
Audio Output	1	1
DC in Jack	1	1
USB	6	5
LAN	2	2
HDMI	1	1
RF Antenna Connector	(GPS, WWAN, WLAN)	-

GETAC TECHNOLOGY CORPORATION

5F, Building A, No. 209, Section 1, Nangang Rd.,
Nangang Dist., Taipei City, 11568, Taiwan, R.O.C.
Tel : +886 2 2785 7888

globalmarketing@getac.com | www.getac.com

Copyright © 2021 Getac Technology Corporation and/or any of its affiliates. All Rights Reserved.

Information provided herewith is for reference only, available specification shall be subjected to quotation by request.